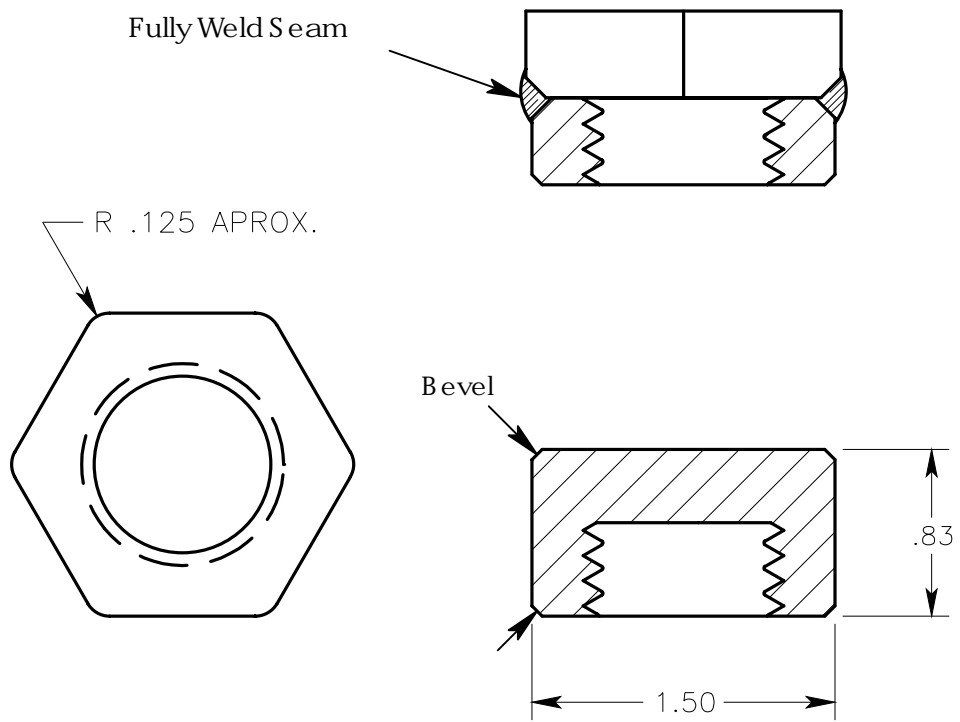


FINAL MACHINING AND WELDING OF PRESSURE CELL LT CAP PIECES



MATERIAL: STAINLESS STEEL

**TOL: .X = +.050
.XX = +.010
.XXX = +.005**