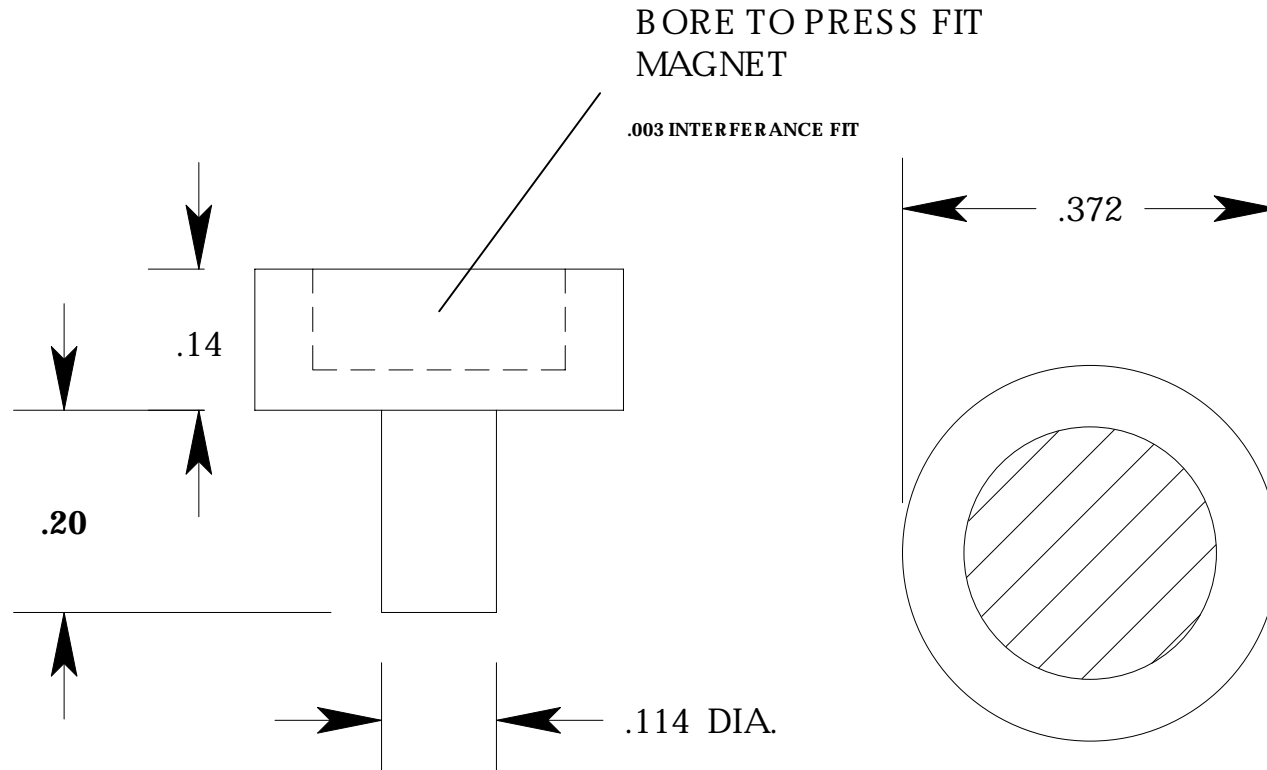


Magnetic Post



MATERIAL : BRASS

TOLERANCES :

.XX +.010
 - .010

.XXX +.001
 - .001