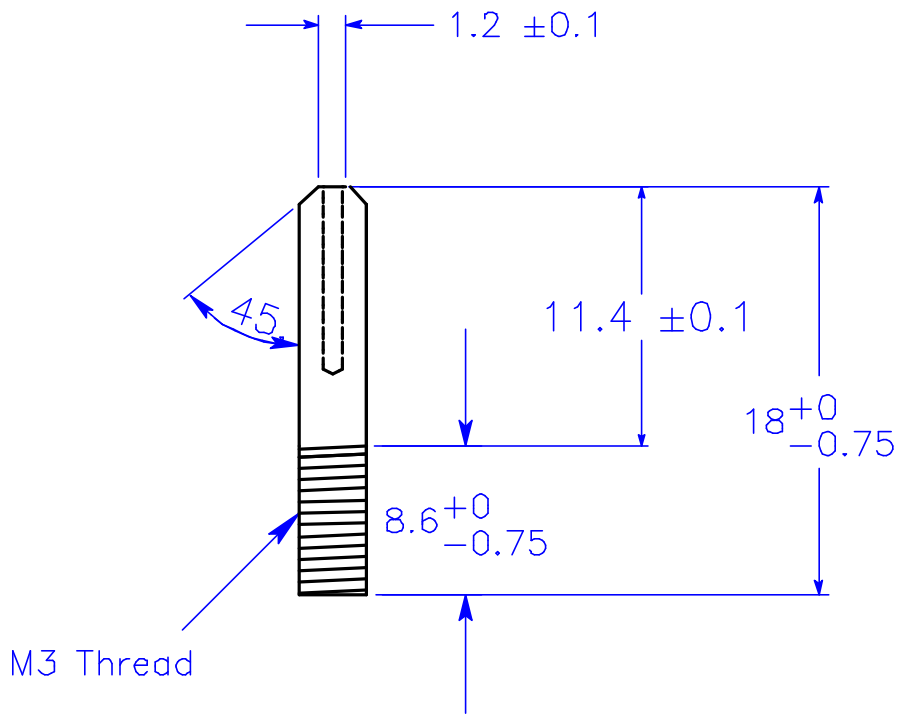


$\varnothing 2.75 \pm 0.05 \text{ mm}$



0.032" dia 0.315" deep
(± 0.005 "")
Same as SSRL-style pins



Pin Insert – Copper

Dimensions mm unless otherwise stated