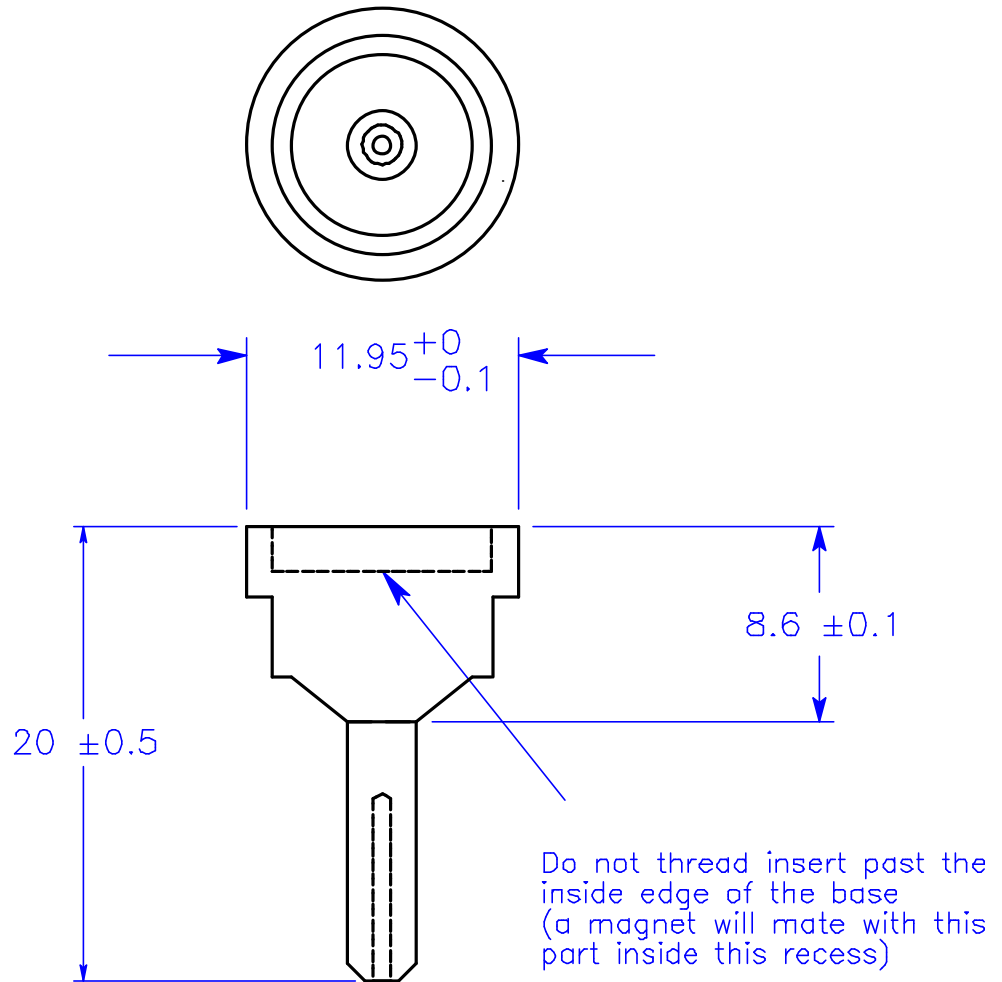


# Assembly Drawing

Use loctite 404 quickset on threads



Dimensions mm