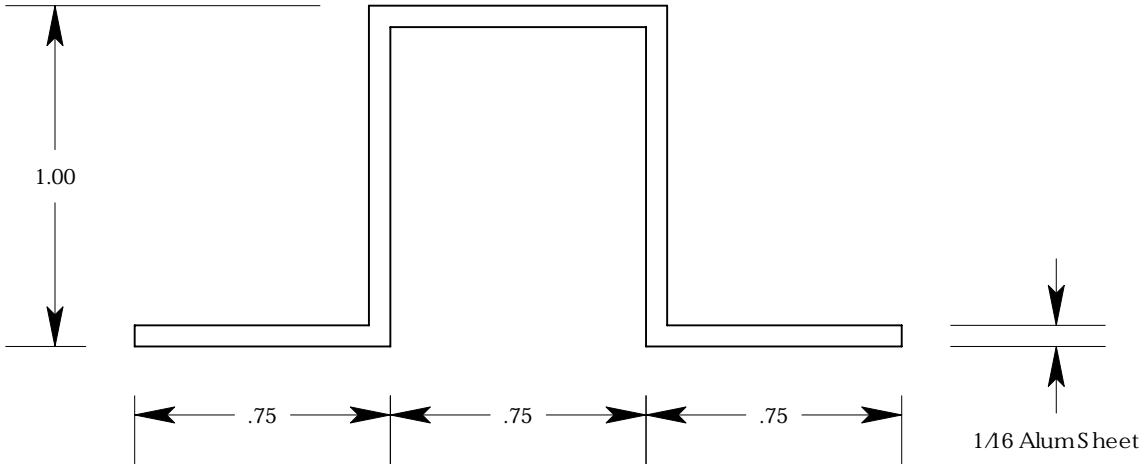
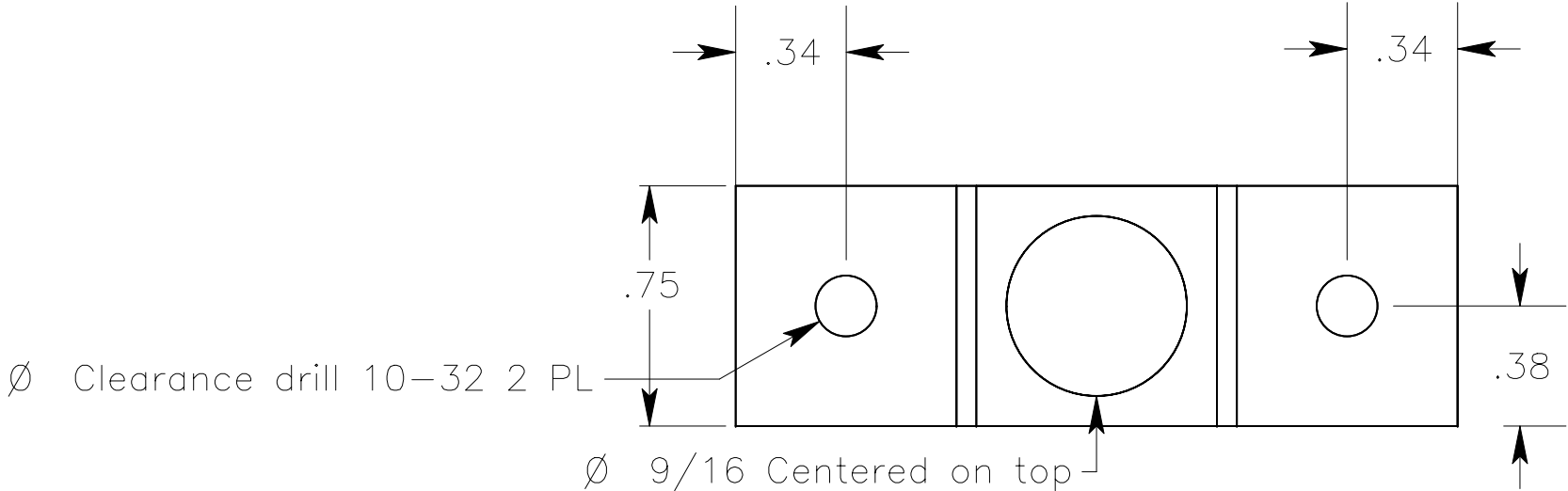


Pressure Cell LT: Valve Bracket



Tolerances : Mat : 5052 Alum.

- .x +- .050
- .xx +- .010
- .xxx +- .005