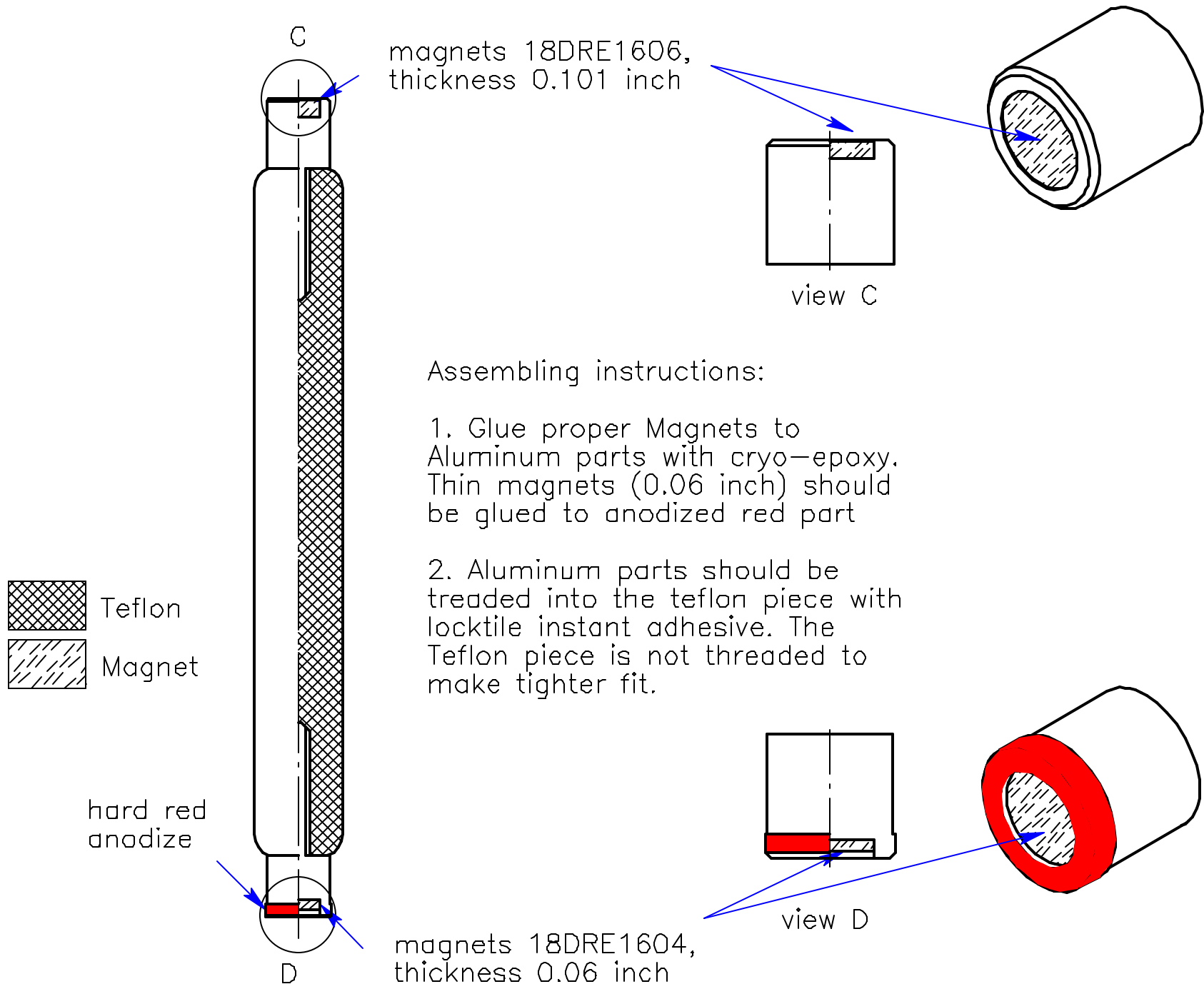
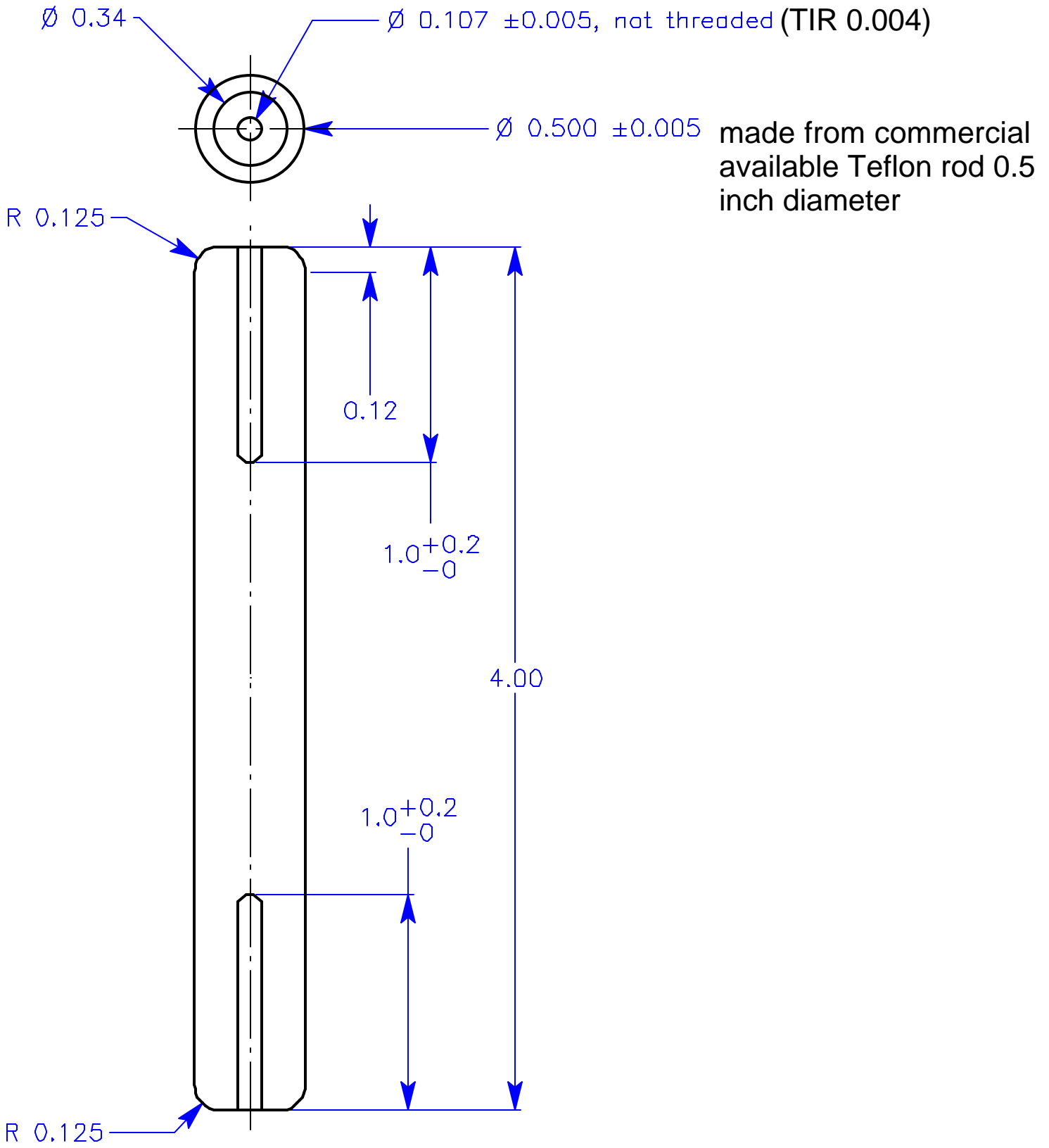


Assembled Loading and Testing Wand



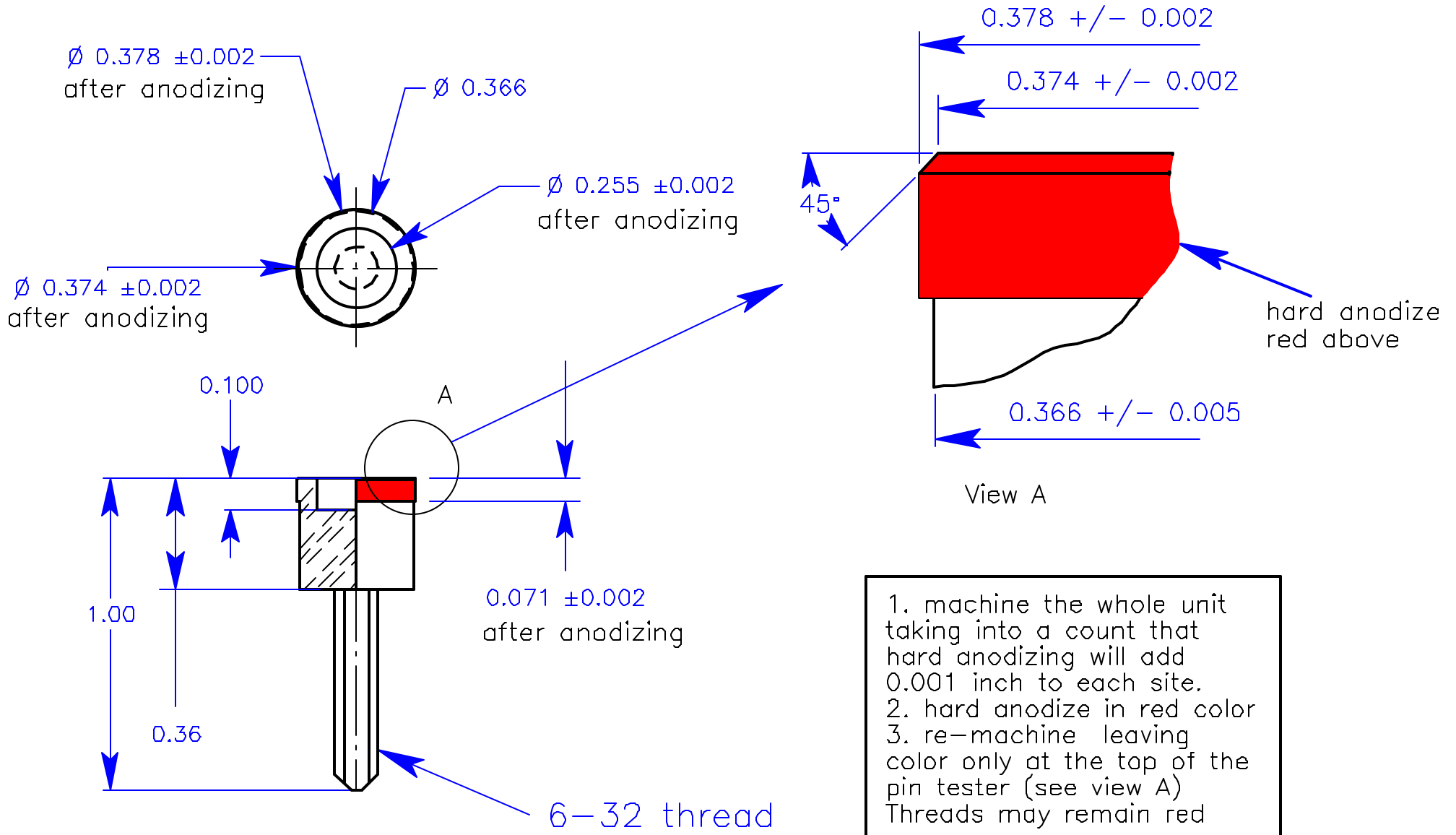
Wand handle



Units: inch
Tol: +/- 0.01
unless specified

Material: Teflon

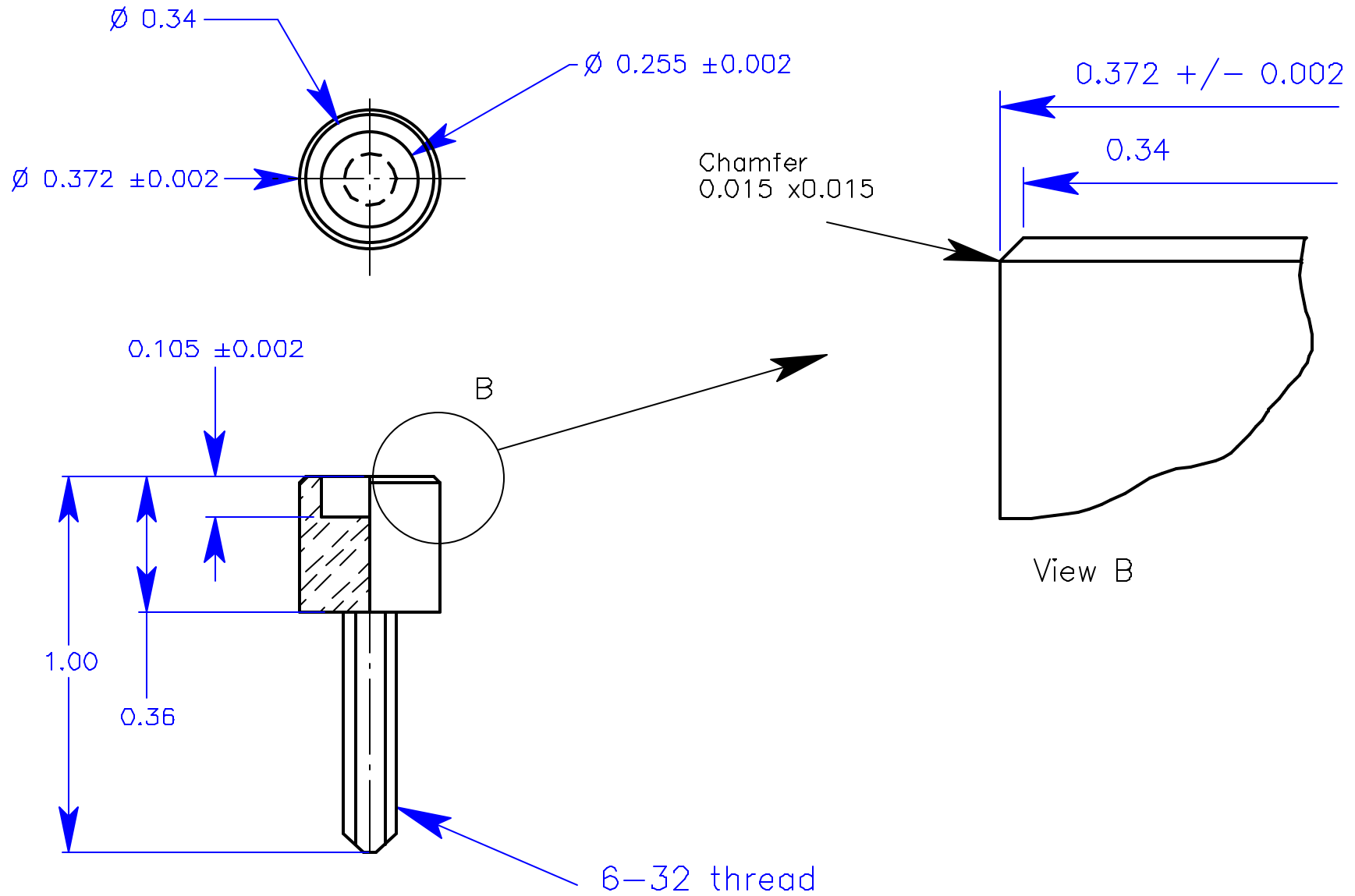
Wand's tester/inserter



Units: inch
 Tol: x.xxx +/- 0.005
 x.xx +/- 0.01

Material: Al

Wand's remover



Units: inch
Tol: x.xx ± 0.01

Material: Al