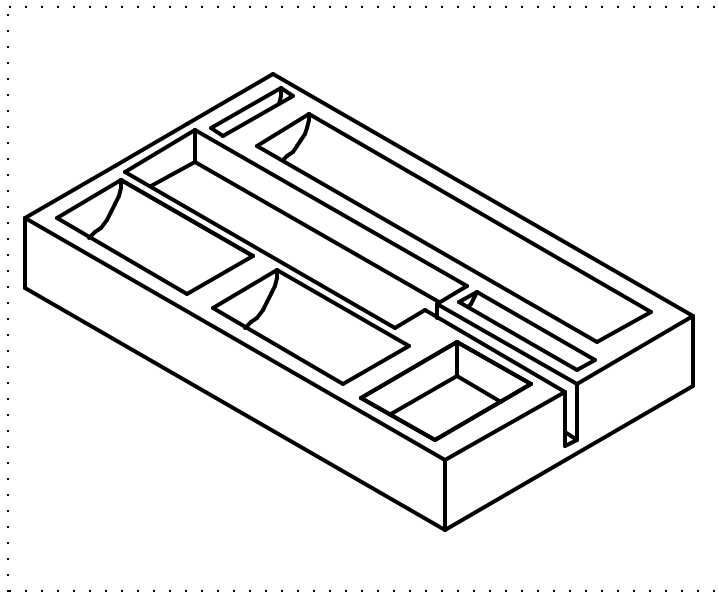
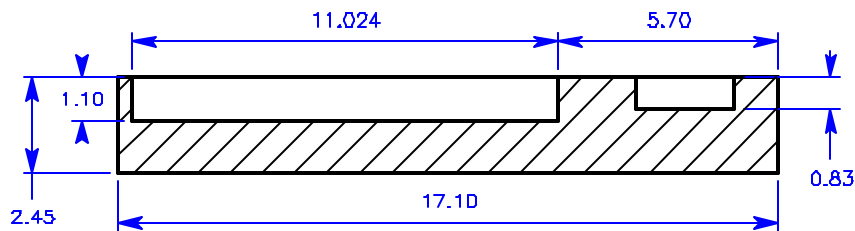
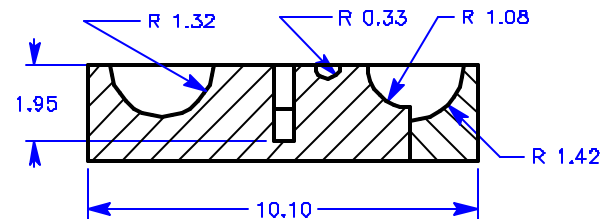


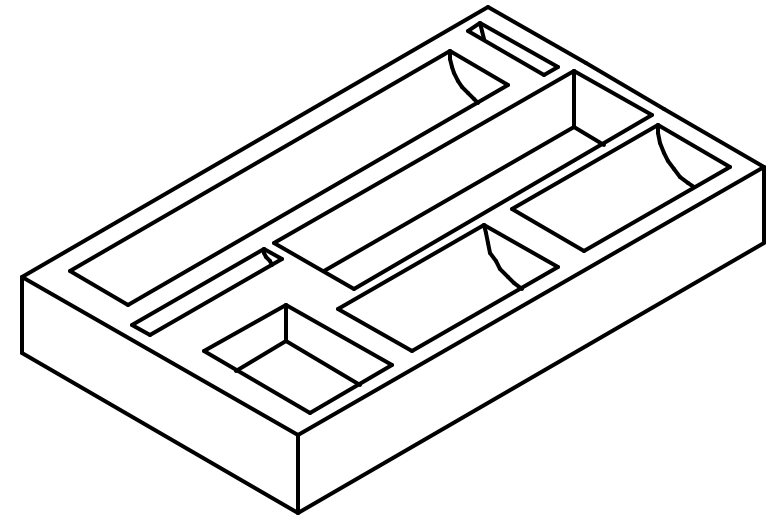
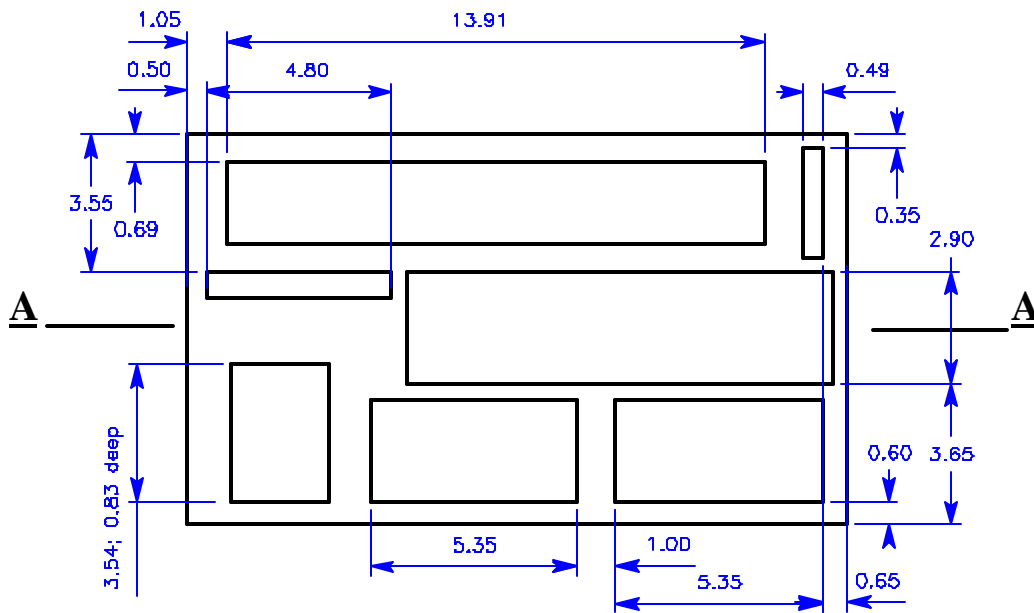
side view,
the section of the A-A plane



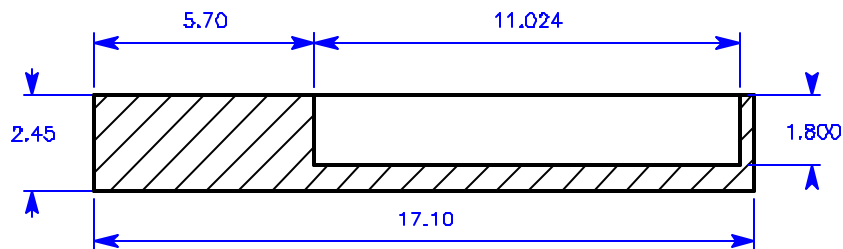
front view,
the section of the B-B plane



File name bottom.vc6	SMB / SSRL / SLAC		
Drawn 05.08.2003 by Irina Tsyba 650-926-2199	Cassette kit inserts Bottom part, Top View made of EPS 2lb		
	Scale 1:5 do not scale, if in doubt ask	Units: inch, Tol.: +/- 0.03 inch	Sheet 1 of 3

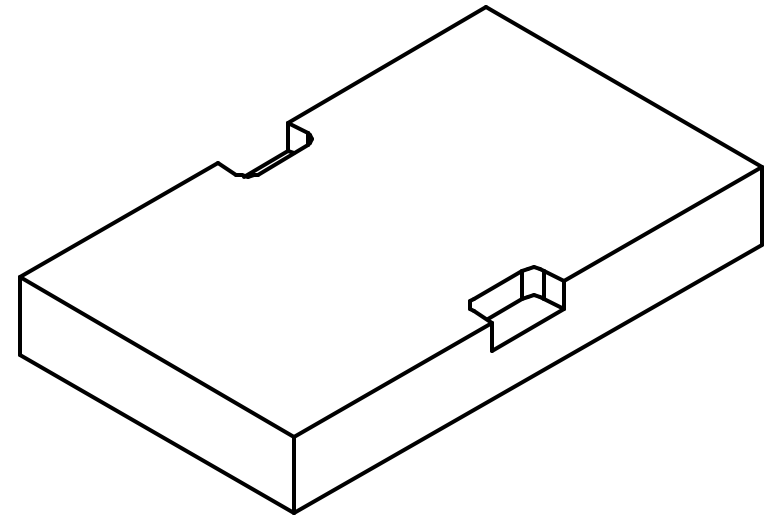
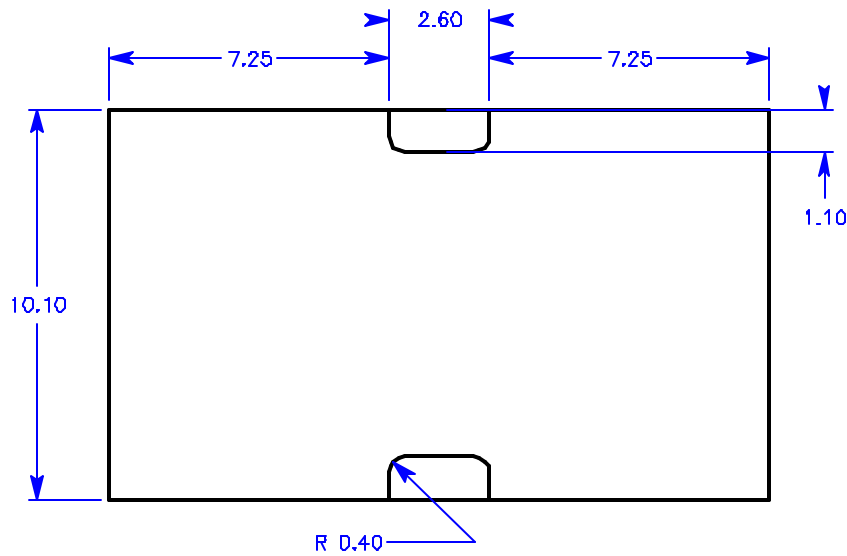


side view,
the section of the A-A plane

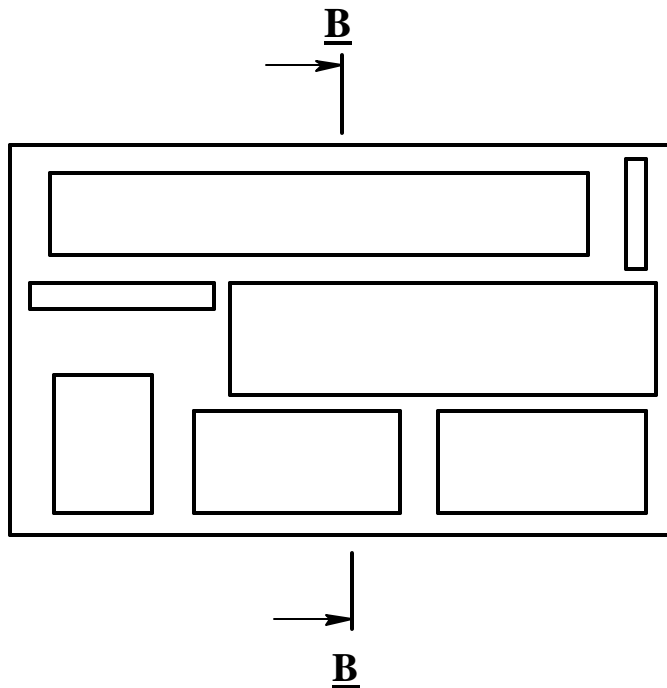


File name top_bv.vc6	SMB / SSRL / SLAC		
Drawn 05.08.2003 by Irina Tsyba 650-926-2199	Cassette kit inserts Top part , Bottom View made of EPS 2lb		
	Scale 1:5 do not scale, if in doubt ask	Units: inch, Tol.: +/- 0.03 inch	Sheet 2 of 3

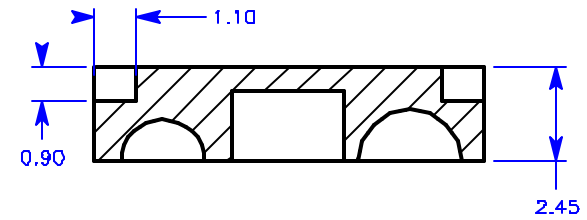
Top View



Bottom View



front view,
the section of the B-B plane



File name top_tv.vc6	SMB / SSRL / SLAC		
Drawn 05.08.2003 by Irina Tsyba 650-926-2199	Cassette kit inserts Top part, Top and Bottom View made of EPS 2lb		
	Scale 1:5 do not scale, if in doubt ask	Units: inch, Tol.: +/- 0.03 inch	Sheet 3 of 3